

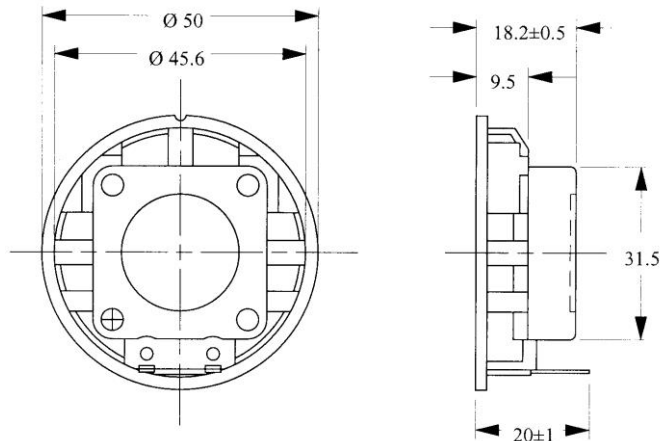
**Lautsprecher LSM-50M/K/F** Art.-Nr.: 108020

**Specification :**

TYPE	UNIT	LSM-50M/K/F
Impedance	$\Omega$	50 $\pm$ 15%
Power (Nominal)	W	0.5
Power (Maximum)	W	1.0
Resonant Frequency	Hz	360 $\pm$ 20%
Sound Pressure Level	dB	83 $\pm$ 3
Frequency Range	Hz	Fo~3.400
Operating Temperature	$^{\circ}$ C	-20~+60
Storage Temperature	$^{\circ}$ C	-30~+70

**Dimensions :**

(Unit : mm)



**Frequency Response :**

